

**IPC Integrated Professional Cleaning**

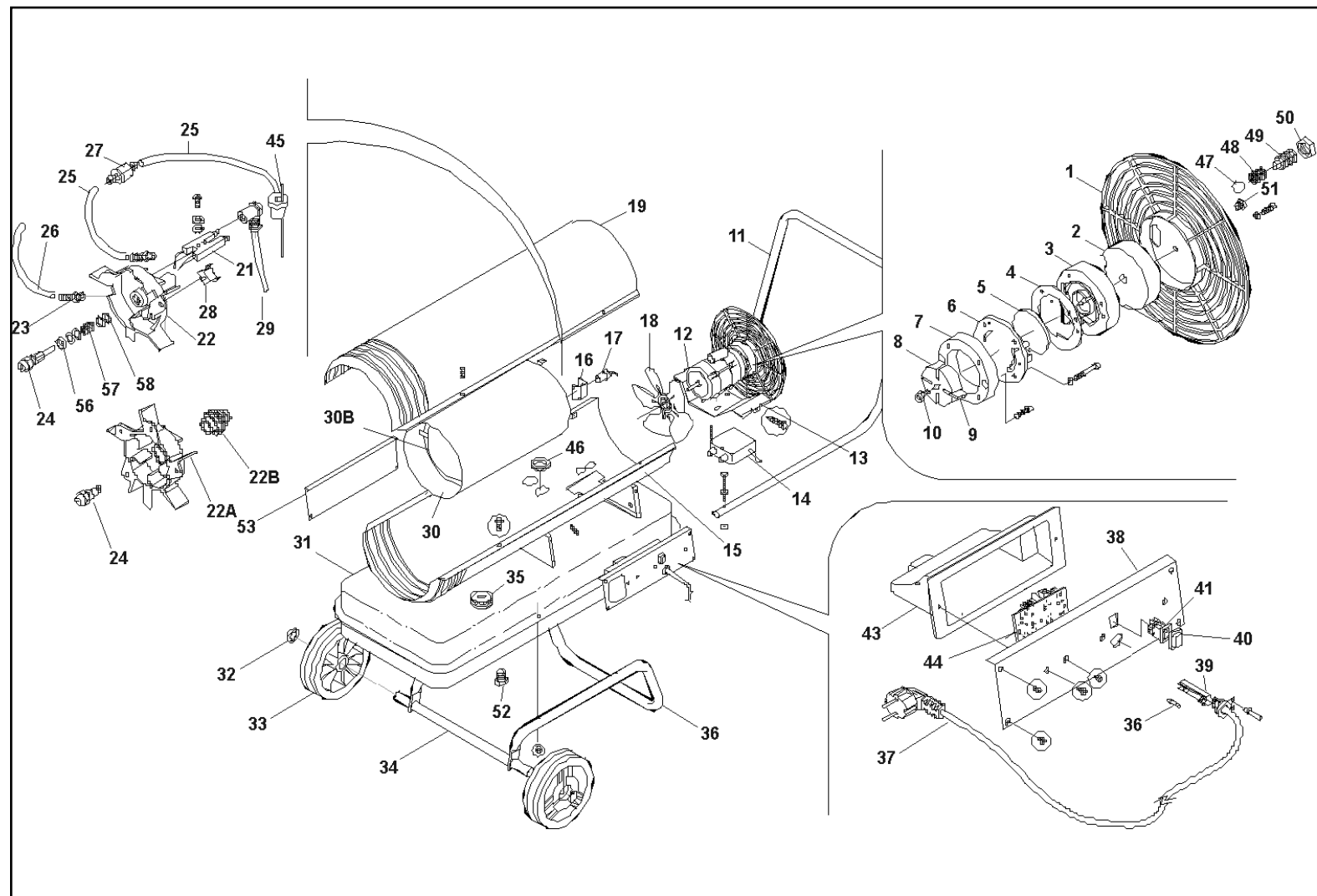
**IPC Portotecnica**

## Spare Parts List

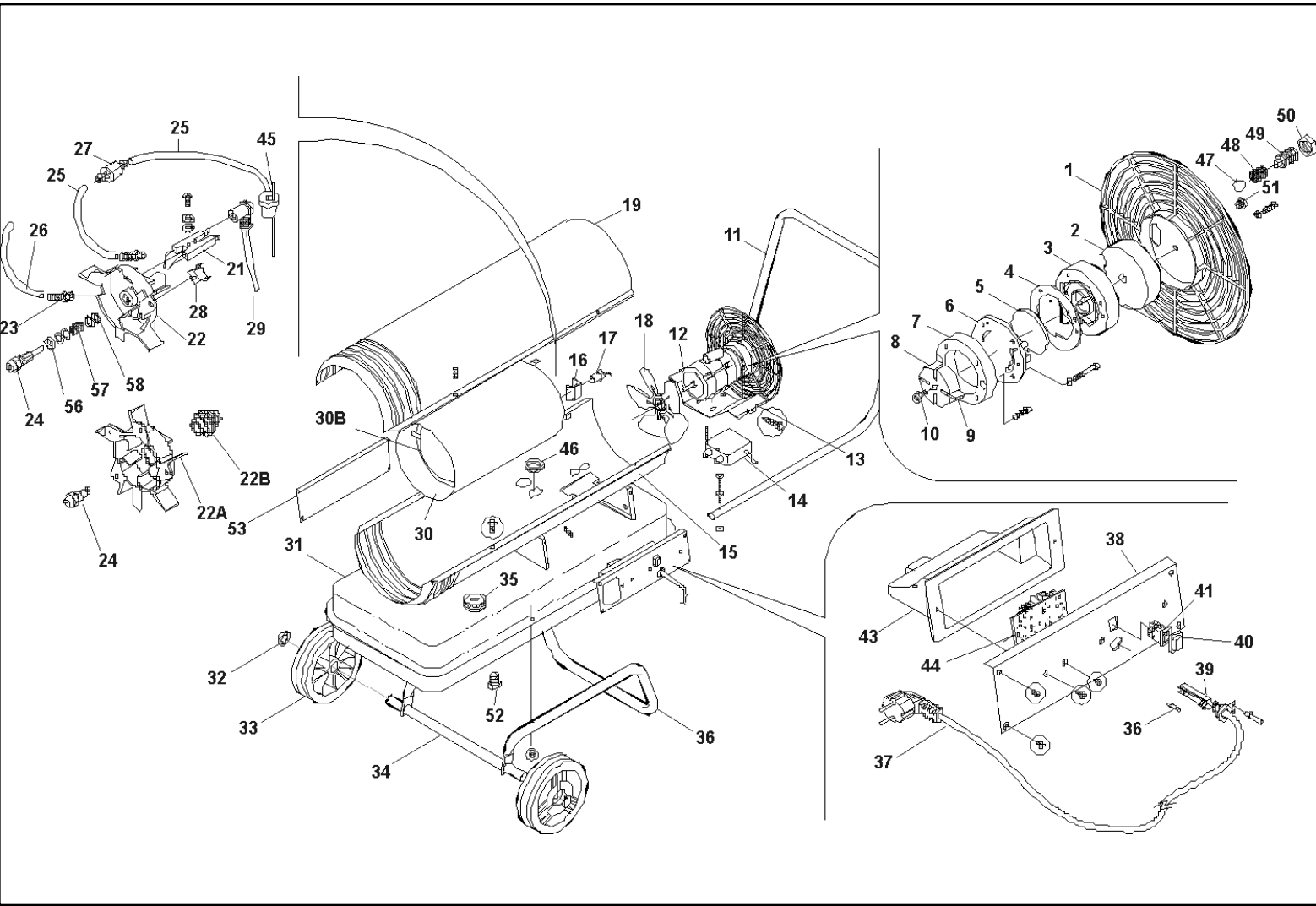
PORTOTECNICA

Ref: GNAC88439

Model: GENER. MOBILCALOR KX 30 230/50 3-06PRT



Ref.	K	Part N.	Customer Part N.	Description	Qty	Validity:		Price
						From	To	
0001		MPVR40320		COOLING GRILL KD30	1,00			--
0002		FTDP42993		AIR FILTER KD	1,00			--
0003		MCVR40000		COVER KD	1,00			--
0004		GUVR40005		GASKET KD CP.	1,00			--
0005		FTDP42994		FILTER KD	1,00			--
0006		MCVR40001		BURNER COVER KD	1,00			--
0007		MCVR45847		RING KD SP.17	1,00			--
0008		MCVR42995		ROTOR KD SP.17	1,00			--
0009		MCVR42996		BLADE KD SP.17	4,00			--
0010		FGGT46083		JOINT KD SP.17	1,00			--
0011		LAFN88988		HANDLE M.CALOR KD30	1,00			--
0012		MOMB45842		BURNER MOTOR KD 150W	1,00			--
0013		LAFN40000		MOTOR PLATE M.CAL. KD30	1,00			--
0014		METR43005		TRANSFORMER 230V-50HZ 2X4000V TR812	1,00		06/2002	--
0014		METR48810		TRANSFORMER 230V-50HZ 2X 12KV TD2-LTC	1,00	07/2002	06/2003	--
0014		METR87739		TRANSFORMER 230V-50HZ 2X 12KV TD1LTC	1,00	07/2003		--
0017		MECF40000		PHOTOELET.CELL KX CPL. 2V.	1,00	11/2003		--
0017		MECF43004		PHOTOELET.CELL KD CPL.	1,00		10/2003	--
0018		VEVR45845		IMPELLER D.210 34°	1,00			--
0019		LAFN89757		COVER M.CALOR KX 30 IX.	1,00			--
0021		MECA42997		ELECTRODE M.CALOR KD	1,00			--
0022		LAFN45846		HEAD M.CALOR KD	1,00		06/2004	--
0023		RCVR41916		HOSE FITTING 1/8 M D. 7- 4.3 A19 NIK	1,00		06/2004	--
0024		UGBR44052		BURNER NOZZLE 0.75 SNA	1,00		06/2004	--
0024		UGBR89874		BURNER NOZZLE 0.75 SNA-STD.	1,00	07/2004		--
0025		TBCO06945		L.P. HOSE D. 6-12 10BAR C.PRESS	0,20			--
0026		TBBP04917		L.P. HOSE D. 6- 9	0,48			--
0027		FTCO10912		FILTER FB 13/TA NYL.	1,00			--
0028		METK42998		THERMOSTAT KD	1,00			--
0029		MECV40000		CABLE A.T. 1KOHM/M M.CAL.500	2,00	04/2007		--
0029		MECV46518		CABLE A.T. 5KOHM/M M.CAL.600	2,00		06/2002	--
0029		MECV48812		CABLE A.T. M.CAL. L.465	2,00	07/2002	03/2007	--
0030		LAFN45343		COMB. CHAMBRE M.CAL.KD30	1,00			--
0031		LAFN49075		FUEL TANK M.CAL.KD30	1,00			--
0032		VTRS28558		WASHER D.20	2,00			--
0033		RTRT49076		WHEEL D.175-D.20 KD	2,00			--
0034		LAFN49077		WHEELS AXLE M.CALOR KD30	1,00			--
0035		LAFN46084		CAP M.CALOR KD	1,00			--
0036		LAFN49078		TUBULAR FRAME M.CAL.KD30	1,00			--



Ref.	K	Part N.	Customer Part N.	Description	Qty	Validity:		Price
						From	To	
0037		MECB48822		CABLE M.CALOR KD	1,00			--
0039		MEVR49084		FAIR-LEAD PA84 FZ	1,00			--
0040		MEVR49080		CAP M.CALOR KD	1,00			--
0041		MECI49081		SWITCH KD	1,00			--
0042		MEVR49085		FUSE 6X30 T 3,15A	1,00			--
0043		MPVR49082		PROTECTION Q.EL. KD30	1,00			--
0044		MECF43003		BURNER EQUIP. KD	1,00		06/2002	--
0044		MECF47896		BURNER EQUIP. KD 2V.	1,00	07/2002		--
0045		MPVR46085		RUBBER KD	1,00			--
0046		MPVR49083		RUBBER KMP.KD	1,00			--
0047		SFVR46603		BALL D. 6 MM KD	1,00			--
0048		MLML46604		SPRING KD40	1,00			--
0049		VTVT49086		SCREW REG. M 8 X20 KD	1,00			--
0050		VTDD13261		NUT M 8X1 UNI 5589	1,00			--
0051		RCDS01720		CAP 1/8 M	1,00			--
0056		MPVR43000		RUBBER KD	1,00		06/2004	--
0057		MLML43001		SPRING DLV	1,00		06/2004	--
0058		VTRS46523		WASHER D. 6,5X10 M.CAL.	1,00		06/2004	--
022B		RCDS89800		NOZZLE HOLDER M.CALOR KD/X PL.	1,00	07/2004		--