

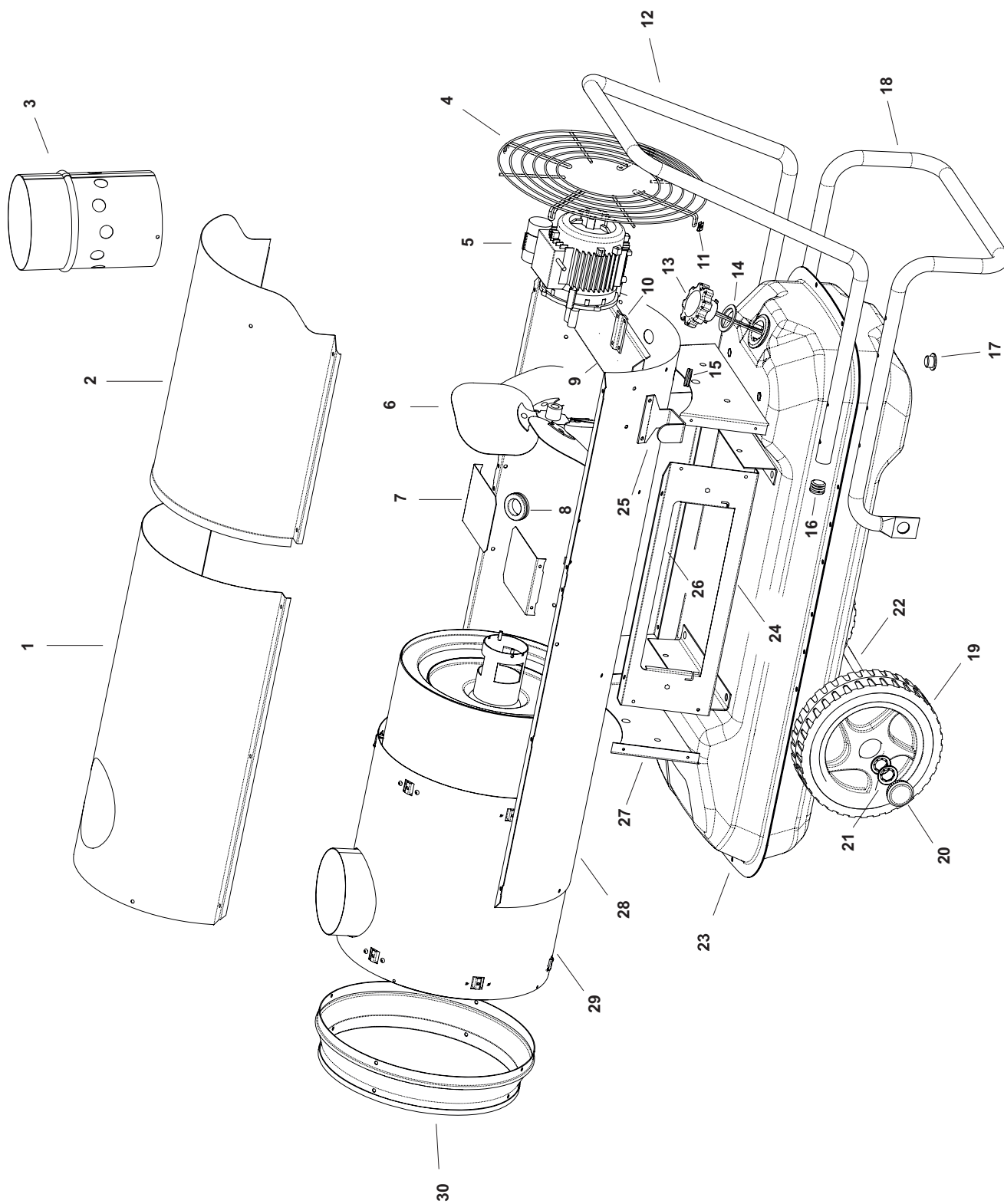
MODEL BV110 E 120V/50Hz

UNIT 1

ILLUSTRATED PARTS BREAKDOWN

From Serial Number: 30200001

Edizione 2010
Rev. A



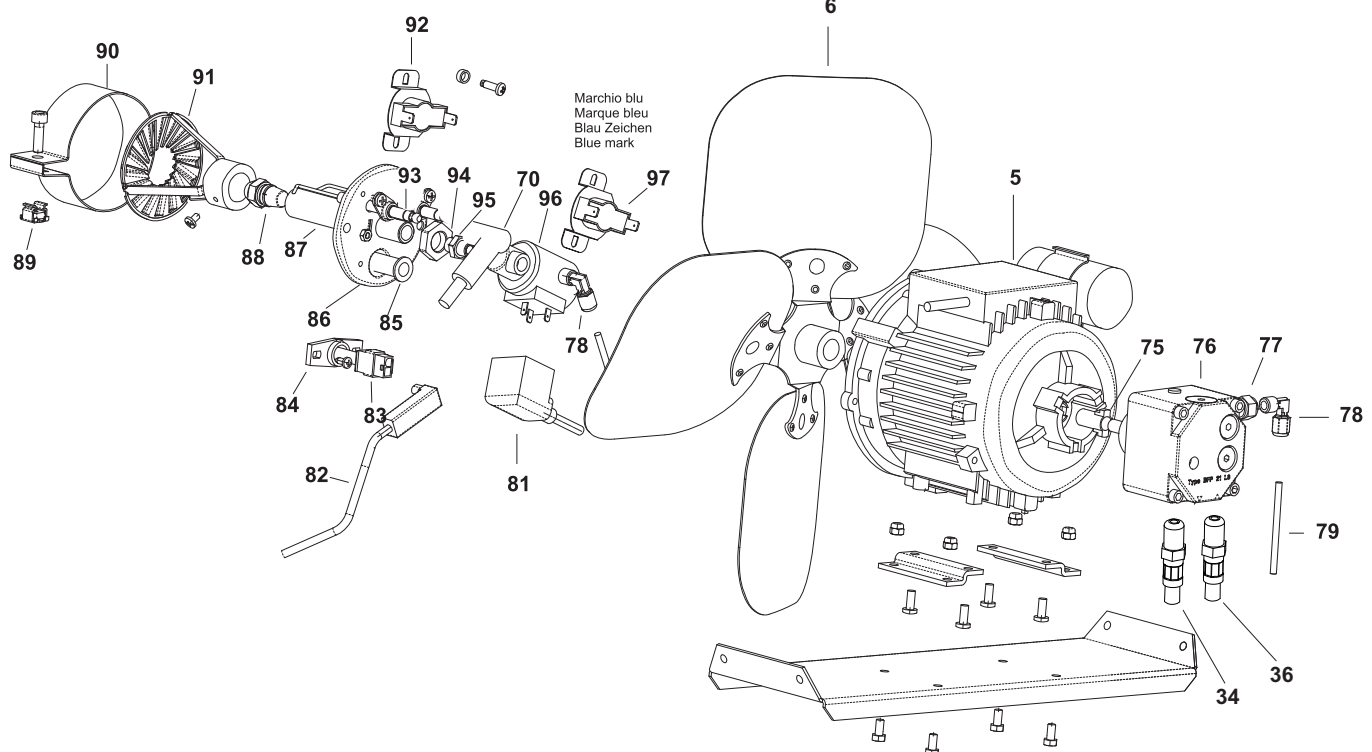
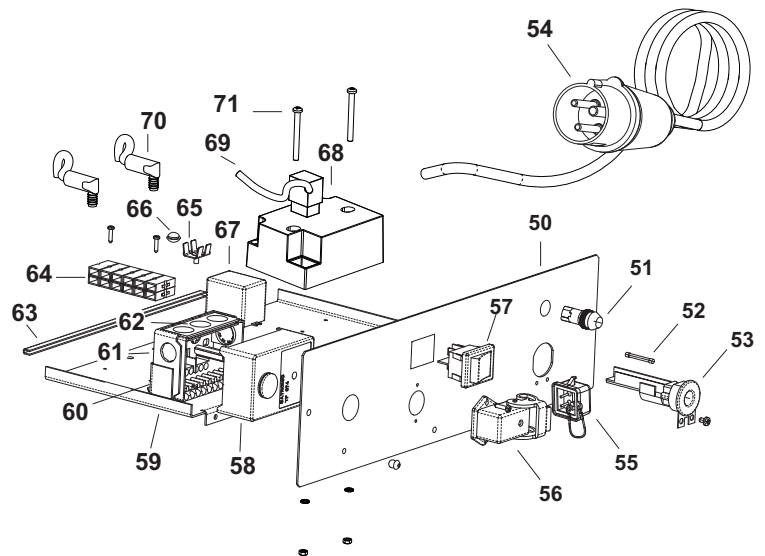
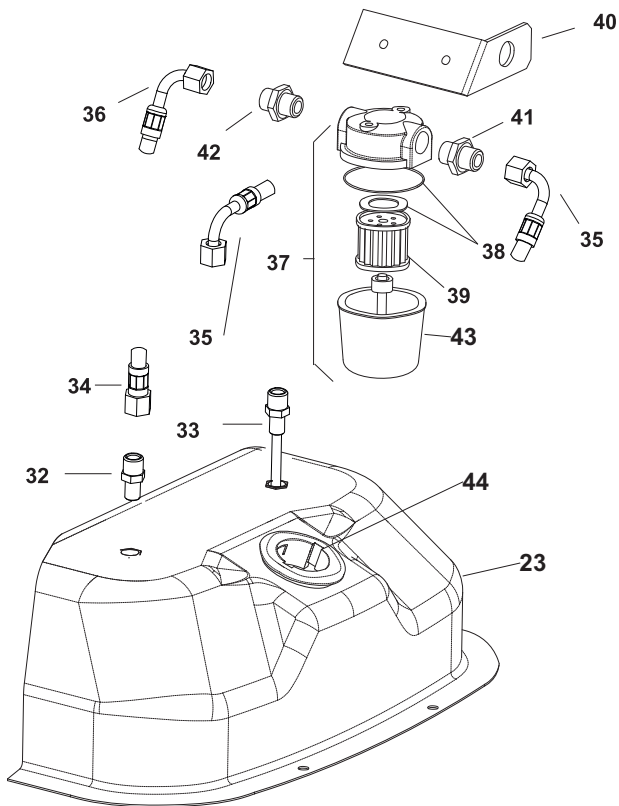
MODEL BV110 E 120V/50Hz

UNIT 2

ILLUSTRATED PARTS BREAKDOWN

From Serial Number: 30200001

Edizione 2010
Rev. A



MODEL BV 110 UK 110V

Pos.	Code NR	Description
1	4032.654	UPPER BODY
2	4032.548	UPPER BODY MOBILE
3	4032.534	CHIMNEY
4	4032.557	INLET GRILLE
5	4032.727	MOTOR 2P 120V/50 IP44
6	4032.593	FAN
7	4032.554	AIR FLAP
8	4111.056	PROTECTION CABLE
9	4032.555	MOTOR FLANGE SUPPORT
10	4032.519	MOTOR FLANGE
11	4111.241	ELASTIC PLATE
12	4032.568	HANDLE FRAME
13	4032.475	FUEL LEVEL PROBE
14	4032.537	TANK PLUG SEAL
15	4160.646	PROTECTION CABLE
16	4111.057	PLUG
17	4100.632	DRAIN PLUG
18	4032.564	FOOT FRAME
19	4032.094	WHEEL
20	4111.480	WHEEL PLUG
21	4111.072	WHEEL HOLDER
22	4032.566	AXLE
23	4032.543	FUEL TANK
24	4032.558	ELECTR. COMPONENTS DRAWER PANEL
25	4032.536	POWER CORD HOOK
26	4032.560	SIDE PANEL
27	4032.562	BASE
28	4111.625	LOWER BODY
29	4032.655	COMBUSTION CHAMBER
30	4032.544	OUTLET CONE
32	4031.068	CONN. STRAIGHT 1/4"
33	4031.067	PIPE CONNECTION 1/4"
34	4031.062	FUEL PIPE PUMP-TANK
35	4031.063	FUEL PIPE TANK-FILTER
36	4031.061	FUEL PIPE FILTER-PUMP
37	4031.070	FILTER WITH CARTIDGE 3/8"
38	4111.116	OR KIT FILTER
39	4031.015	FILTER CARTRIDGE
40	4032.437	FILTER SUPPORT
41	4031.064	DOUBLE SCREW
42	4117.049	DOUBLE SCREW
43	4031.180	FILTER HOUSING
44	4032.472	NECK PLASTIC FILLER
50	4032.446	ELECTRIC. COMPONENTS DRAWER
51	4117.058	PILOT LAMP
52	4111.040	FUSE (6,3x32) 10 A
53	4111.038	CABLE FASTENER

MODEL BV 110 UK 110V

Pos.	Code NR	Description
54	4031.044	POWER CORD
55	4162.467	CAP FOR THERMOSTAT SOCKET
56	4111.119	THERMOSTAT SOCKET
57	4160.637	SWITCH 16A
58	4110.968	CONTROL BOX SATRONIC
59	4032.448	ELECTR. COMPONENTS BASE
60	4032.499	CONTROL BOX SUPPORT
61	4110.969	CONTROL BOX BASE
62	4110.967	SUPPORT PG PHOTOCELL
63	4110.155	EDGE LINER
64	4111.033	TERMINAL BOARD
65	4160.639	POP RIVET WITH TERMIN. 4 WAY
66	4032.450	PLASTIC PIN
67	4031.514	RELAY FINDER
68	4031.393	TRANSFORMER
69	4110.491	TRANSFORMER POWER CORD
70	4110.490	H.T. CABLE
71	4160.421	M4 SCREW
75	4111.081	COUPLING SIMEL
76	4032.093	PUMP DANFOSS
77	4161.501	NUT FOR BICONE 1/8"
78	4161.140	CONNECTION 90° 1/8"
79	4111.049	OIL SUPPLY PIPE
81	4032.110	POWER CORD SOLENOID SPOOL
82	4110.970	PHOTOCELL CONN.CABLE
83	4110.966	PHOTOCELL
84	4111.076	PHOTOCELL BLOCK BRACKET
85	4032.406	PHOTOCELL SUPPORT
86	4032.574	BURNER FLANGE
87	4032.403	NOZZLE SUPPORT
88	4031.020	NOZZLE 0,65 GPH 80°S
89	4032.454	M6 NUT
90	4032.545	AIR REGULATION FLAP
91	4032.570	TURBO DISC
92	4031.045	FAN THERMOSTAT
93	4031.095	ELECTRODE
94	4032.407	M14 NUT
95	4160.968	CONN. STRAIGHT 1/8"
96	4031.046	SOLENOID SPOOL 120V/50Hz
97	4031.047	LIMIT THERMOSTAT