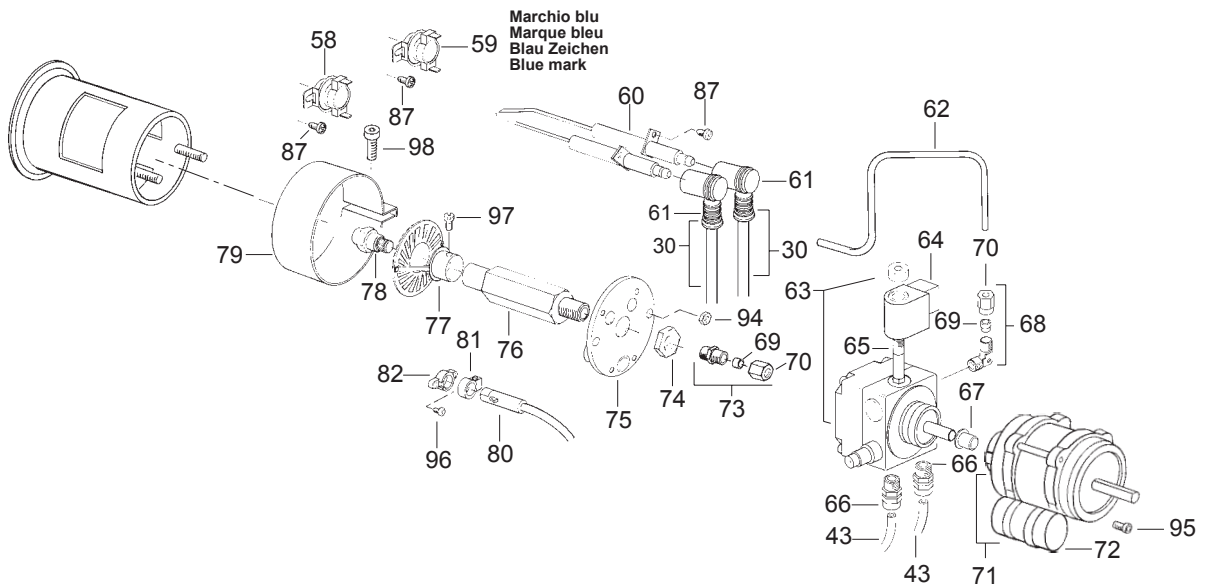
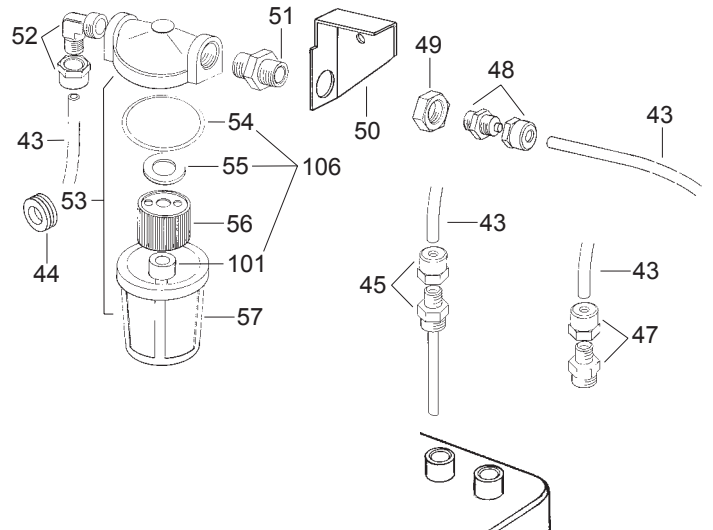
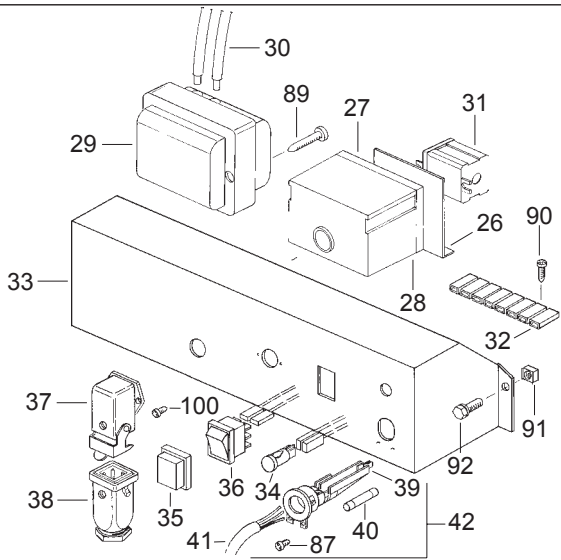
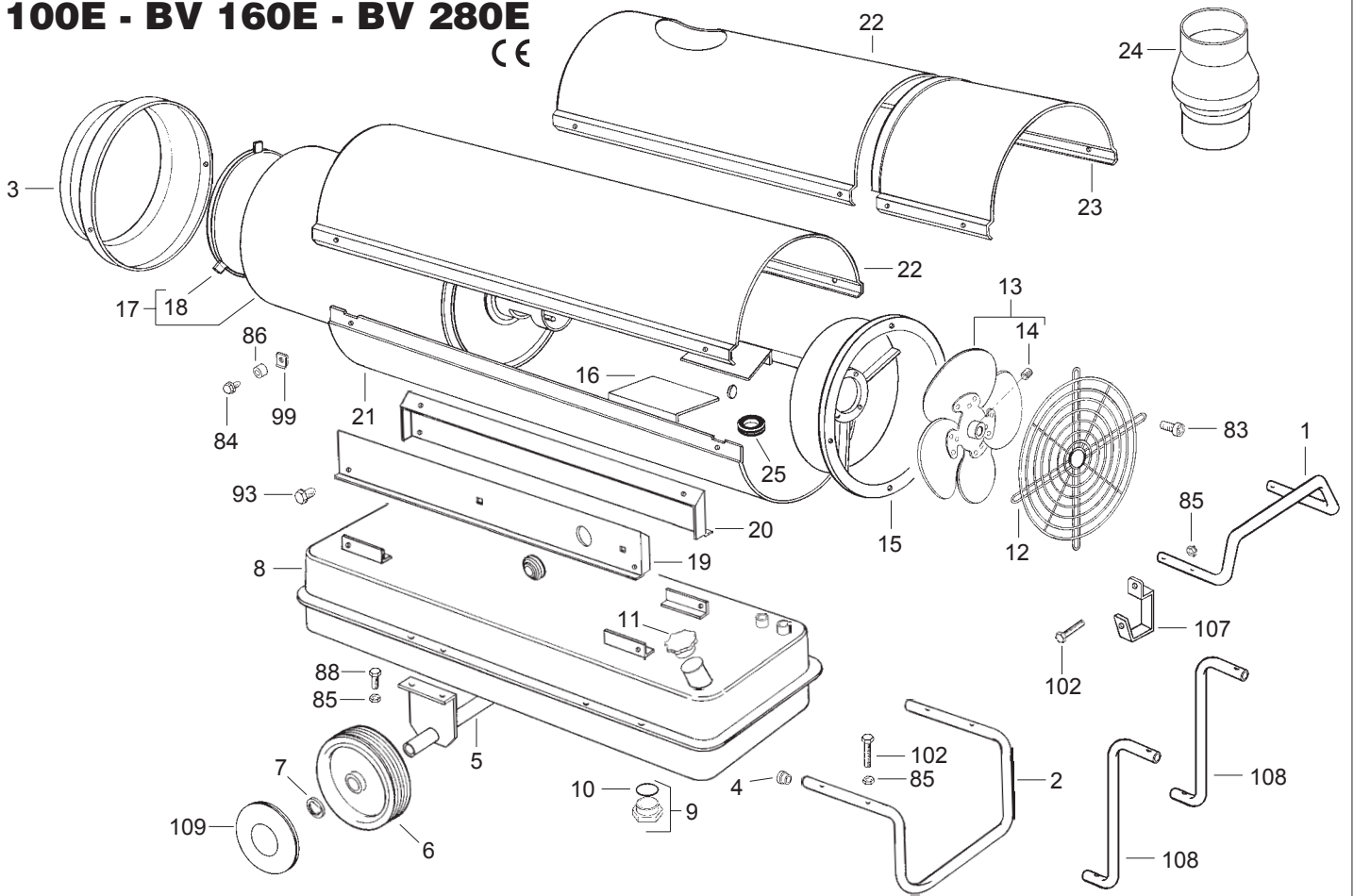


BV 100E - BV 160E - BV 280E



MASTER INDIRECT OIL HEATERS

MODEL BV 100 E – 160 E – 280 E from 2002

PARTS LIST

Position	Code	Description	BV 100E	BV 160E	BV 280E
1	4031.905	Frame	•	•	
1	4031.899	Frame			•
2	4031.036	Frame	•	•	
2	4031.037	Frame			•
3	4031.278	Outlet cone	•	•	
3	4031.023	Outlet cone			•
4	S/R	Plug	•	•	•
5	4032.163	Axle	•	•	
5	4032.168	Axle			•
6	4031.385	Wheel Ø 200x50 Ø 20	•	•	
6	4031.386	Wheel Ø 250x55 Ø 25			•
7	S/R	Whell holder 20	•	•	
7	S/R	Whell holder 25			•
8	4031.004	Fuel tank	•	•	
8	4031.006	Fuel tank			•
9	4031.013	Drain plug	•	•	•
10	S/R	Drain plug OR	•	•	•
11	4110.962	Tank plug	•	•	•
12	4162.063	Inlet grille	•	•	
12	4031.137	Inlet grille			•
13	4031.270	Fan Ø 300 18°	•		
13	4031.271	Fan Ø 300 27°		•	
13	4031.272	Fan Ø 500 33°			•
14	S/R	Screw M8x8	•	•	•
15	S/R	Motor flange	•	•	
15	S/R	Motor flange			•
16	S/R	Air flap	•	•	
16	S/R	Air flap			•
17	4031.273	Combustion chamber	•		
17	4031.274	Combustion chamber		•	
17	4031.276	Combustion chamber			•
18	S/R	Flange guard shield	•		
18	S/R	Flange guard shield		•	
18	S/R	Flange guard shield			•
19	S/R	Base sx	•	•	
19	S/R	Base sx			•
20	S/R	Base dx	•	•	
20	S/R	Base dx			•
21	S/R	Lower body	•		
21	S/R	Lower body		•	
21	S/R	Lower body			•
22	S/R	Upper body	•		
22	S/R	Upper body		•	
22	S/R	Upper body			•
23	S/R	Upper body (rear)	•	•	
23	S/R	Upper body (rear)			•
24	4031.277	Chimney Ø 150	•	•	•
25	S/R	Protection cable Ø 35	•	•	•
26	4162.087	Control box support	•	•	•

MASTER INDIRECT OIL HEATERS

MODEL BV 100 E – 160 E – 280 E from 2002

PARTS LIST

Position	Code	Description	BV 100E	BV 160E	BV 280E
27	4031.010	Control box base	•	•	•
28	4031.005	Control box Landis & Gyr LOA21	•	•	•
29	4031.035	Transformer H.T. 230V	•	•	•
30+61	4110.971	H.T. cable	•	•	•
31	4031.040	Relay Finder	•	•	•
32	4162.085	Terminal board	•	•	•
33	4031.024	Electr. componets drawer	•	•	•
34	4031.169	Pilot lamp	•	•	•
35+36	4160.637	Switch 0 - 1	•	•	•
37	4111.119	Thermostat plug	•	•	•
38	4111.118	Plate plug	•	•	•
39	4162.094	Cable fastener	•	•	•
40	4031.080	Fuse (6x30) 6 A	•	•	
40	4111.040	Fuse (6x30) 10 A			•
41	4162.096	El. wire with plug	•	•	•
42	4031.755	El. wire with plug and cable fasten	•	•	•
43	4031.140	Rilsan pipe Ø 6	•	•	•
44	S/R	Protection cable Ø 18	•	•	•
45	4031.148	Pipe connection 1/4" Mx6	•	•	•
47	4031.160	Conn. straight 1/4" Mx6	•	•	•
48	S/R	Conn. straight 1/8" Mx6	•	•	•
49	4031.800	Nut 3/8"x5	•	•	•
50	4031.011	Filter support	•	•	•
51	4031.802	Double screw	•	•	•
52	4031.803	Connection 90° 3/8" Mx6	•	•	
52	4031.804	Conn. straight 3/8" Mx6			•
53	4031.070	Filter with cartidge 3/8"	•	•	•
54	4031.150	Filter OR	•	•	•
55	4031.075	Top oil filter seal	•	•	•
56	4031.015	Filter cartridge	•	•	•
57	4031.180	Filter housing	•	•	•
58	4031.045	Fan Thermostat	•	•	•
59	4031.047	Limit Thermostat	•	•	•
60	4031.095	Electrode	•	•	•
62	4031.106	Oil supply pipe Ø 4	•	•	•
63	4031.197	Pump Danfoss BFP 21	•	•	•
64	4031.019	Solenoid spool BFP11/21	•	•	•
65	4031.195	Solenoid valve Danfoss	•	•	•
66	4031.160	Conn. Straight 1/4" Mx6	•	•	•
67	4031.060	Coupling K1	•	•	
67	4031.065	Coupling K2			•
68	4031.096	Connection 90° 1/8" Mx4	•	•	•
69	4031.115	Bicone Ø 4	•	•	•
70	4031.110	Nut for bicone Ø 4	•	•	•
71	4031.130	Motor 130 W with capacitor	•		
71	4031.131	Motor 200 W with capacitor		•	
71	4031.125	Motor 750 W with capacitor			•
72	4031.165	Capacitor 5 µF	•		
72	4031.304	Capacitor 6,3 µF		•	

MASTER INDIRECT OIL HEATERS

MODEL BV 100 E – 160 E – 280 E from 2002

PARTS LIST

Position	Code	Description	BV 100E	BV 160E	BV 280E
72	4031.166	Capacitor 16 µF			•
73	4031.026	Conn. Straight 1/8" Mx6	•	•	•
74	S/R	Nut M14	•	•	•
75	4031.374	Burner flange Ø 80mm	•	•	
75	4031.372	Burner flange Ø102mm			•
76	4031.012	Nozzle support	•	•	•
77	4031.066	Turbo disc	•	•	•
78	4031.020	Nozzle 0.65 GPH 80°	•		
78	4031.025	Nozzle 1.00 GPH 80°		•	
78	4031.030	Nozzle 1.50 GPH 80°			•
79	4031.196	Air regulatoin flap	•	•	
79	4031.007	Air regulatoin flap			•
80	4031.090	Photocell	•	•	•
81	4031.009	Fixing clamp	•	•	•
82	4031.008	Flange	•	•	•
83	S/R	Screw TC M5x16	•	•	•
84	4109.590	Screw TE 10x1/2" FR	•	•	•
85	4140.670	Nut M6	•	•	•
86	4160.613	Sleeve	•	•	•
87	4161.434	Screw TC 4,2x9,5	•	•	•
88	4032.041	Screw TE M6x16	•	•	•
89	S/R	Screw TC 8x1"1/2"	•	•	•
90	4032.109	Screw TC 4x1/2"	•	•	•
91	4031.215	Nut M6	•	•	•
92	4032.107	Screw TE M6x16 FR	•	•	•
93	4032.040	Screw TE 14x1/2" FR	•	•	•
94	S/R	Nut M5	•	•	•
95	S/R	Screw TCEI M4x16	•	•	
95	S/R	Screw TCEI M5x35			•
96	4140.676	Screw TC 6x1/2"	•	•	•
97	4160.600	Screw TC M4x10	•	•	•
98	S/R	Screw TCEI M6x25	•	•	•
99	4104.170	Elastic plate U42-032	•	•	•
100	S/R	Screw TC 4x3/8"	•	•	•
101	4031.191	Lower oil filter seal	•	•	•
102	4140.655	Screw TE M6x30	•	•	•
106	4111.116	OR KIT filter	•	•	•
107	S/R	Power cord hook	•	•	•
108	4031.885	Support bar			•
109	S/R	Plug - wheel Ø200x50	•	•	
109	S/R	Plug - wheel Ø250x55			•
not shown	4031.094	Oil pump filter	•	•	•

S/R = Parts available by special request only