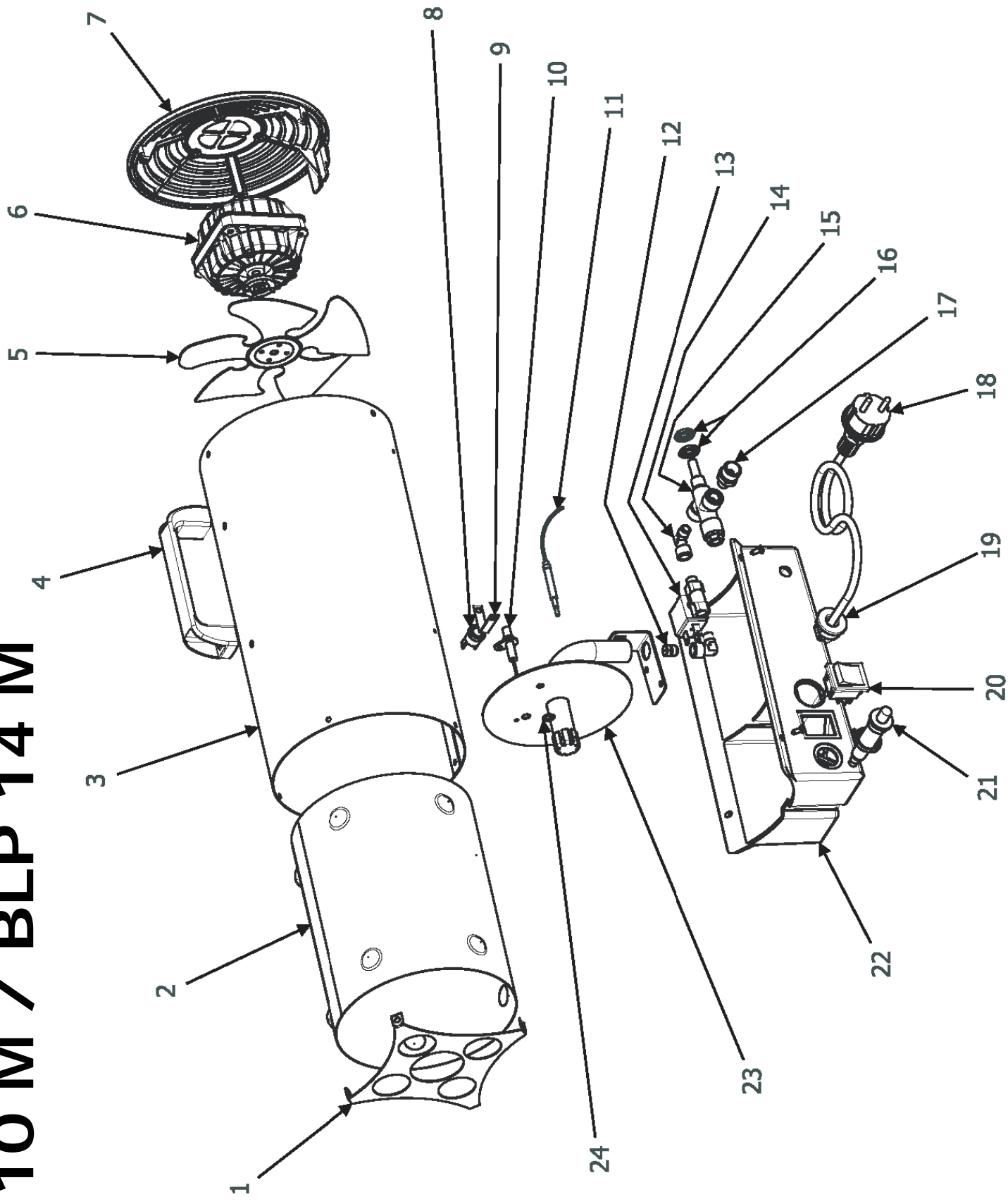


BLP 10 M / BLP 14 M



MASTER GAS HEATERS BLP 10 M / BLP 14 M

| Pos. | BLP 10 M | BLP 14 M | Description |
|-------------|-----------------|-----------------|----------------------------|
| 1 | 4160.714 | 4160.714 | OUTLET GRID |
| 2 | 4161.336 | 4161.372 | COMBUSTION CHAMBER |
| 3 | S/R | S/R | COVER |
| 4 | 4160.715 | 4160.715 | PLASTIC HANDLE |
| 5 | 4162.251 | 4162.251 | FAN \varnothing 172 19° |
| 6 | 4160.044 | 4160.044 | ELECTRIC MOTOR |
| 7 | 4160.713 | 4160.713 | PLASTIC INLET GRID |
| 8 | 4160.636 | 4160.636 | SAFETY THERMOSTAT |
| 9 | 4160.708 | 4160.708 | SUPPORT FOR THERMOSTAT |
| 10 | 4160.707 | 4160.707 | IGNITION ELECTRICAL FOLDER |
| 11 | 4160.654 | 4160.654 | INTERRUPTED THERMOCOUPLE |
| 12 | 4160.746 | 4160.746 | GAS NOZZLE |
| 13 | 4160.655 | 4160.655 | ELECTRO VALVE |
| 14 | 4160.620 | 4160.620 | 90° DEGREE ELBOW 1/8" |
| 15 | 4161.137 | 4161.137 | SAFETY GAS VALVE |
| 16 | 4160.701 | 4160.701 | RING NUT M12X0,75 |
| 17 | 4160.048 | 4160.048 | GAS INLET NOZZLE |
| 18 | 4160.733 | 4160.733 | POWER CORD |
| 19 | 4160.635 | 4160.635 | KEEPER WIRE |
| 20 | 4160.637 | 4160.637 | SWITCH |
| 21 | 4162.222 | 4162.222 | PIEZO IGNITOR |
| 22 | 4160.760 | 4160.760 | PLASTIC BASE |
| 23 | 4162.448 | 4162.448 | GAS BURNER |
| 24 | 4160.627 | 4160.627 | ELASTIC WASHER |

S/R = Parts available by special request only